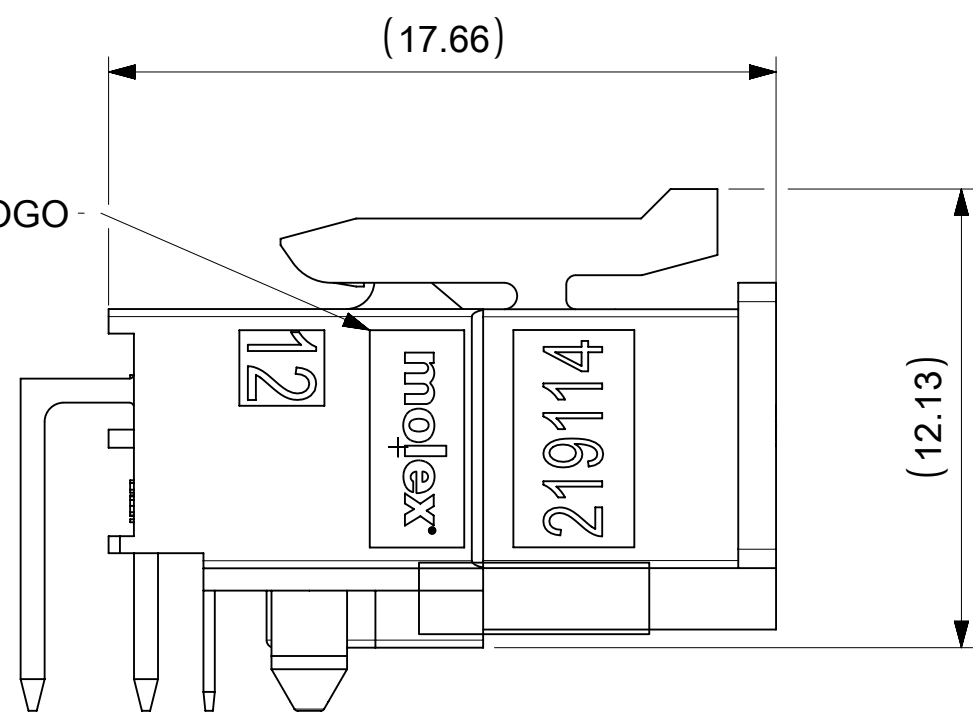


SECTION A-A



ASSEMBLY VIEW
MATED WITH 219114 SERIES

| | | | | | | | | | |
|---|--|------------|--|---|--|------------|--|------------|--|
| THIS DRAWING CONTAINS INFORMATION THAT IS PROPRIETARY TO MOLEX ELECTRONIC TECHNOLOGIES, LLC AND SHOULD NOT BE USED WITHOUT WRITTEN PERMISSION | | | | | | | | | |
| DIMENSION UNITS | | SCALE | | CURRENT REV DESC: | | | | | |
| mm | | NTS | | <p>molex</p> <p>PCIE CEM 5 12V2X6 HEADER ASSY</p> <p>PRODUCT CUSTOMER DRAWING</p> <p>DOCUMENT NUMBER: 2191160001-SD DOC TYPE: PSD DOC PART: 000 REVISION: A1</p> <p>MATERIAL NUMBER: SEE TABLE CUSTOMER: GENERAL MARKET SHEET NUMBER: 1 OF 2</p> | | | | | |
| GENERAL TOLERANCES (UNLESS SPECIFIED) | | | | | | | | | |
| ANGULAR TOL ± 2.0° | | | | | | | | | |
| 4 PLACES ± | | | | | | | | | |
| 3 PLACES ± | | | | | | | | | |
| 2 PLACES ± 0.2 | | | | EC NO: 844069 | | 2025/12/31 | | | |
| 1 PLACE ± 0.25 | | | | DRWN: WYATTH5 | | 2026/01/13 | | | |
| 0 PLACES ± | | | | CHK'D: XQZHANG | | 2026/01/13 | | | |
| DRAFT WHERE APPLICABLE MUST REMAIN WITHIN DIMENSIONS | | | | THIRD ANGLE PROJECTION | | DRAWING | | SERIES | |
| C-SIZE | | 219116 | | INITIAL REVISION: | | 2021/10/25 | | 2024/03/11 | |
| DRWN: ZIXUAQ | | 2021/10/25 | | APPR: XQZHANG | | 2024/03/11 | | | |

| CKT | | | PART NUMBER | PLATING OPTION | PACK |
|-------|-------|--------|-------------|----------------|-------------|
| TOTAL | POWER | SIGNAL | | | |
| 16 | 12 | 4 | 2191160161 | A | TRAY |
| 16 | 12 | 4 | 2191161161 | A | TAPE & REEL |

| CKT | | | PART NUMBER | PLATING OPTION | PACK | NOTE |
|-------|-------|--------|-------------|----------------|-------------|----------|
| TOTAL | POWER | SIGNAL | | | | |
| 16 | 12 | 4 | 2191160162 | B | TRAY | NOT TOOL |
| 16 | 12 | 4 | 2191161162 | B | TAPE & REEL | |

| CKT | | | PART NUMBER | PLATING OPTION | PACK | NOTE |
|-------|-------|--------|-------------|----------------|-------------|----------|
| TOTAL | POWER | SIGNAL | | | | |
| 16 | 12 | 4 | 2191160163 | C | TRAY | NOT TOOL |
| 16 | 12 | 4 | 2191161163 | C | TAPE & REEL | |

NOTES:

- HOUSING MATERIALS: LIQUID CRYSTAL POLYMER, UL 94V-0, COLOUR: BLACK
TERMINAL MATERIAL: HIGH COPPER ALLOY
- PLATING OPTION:
 - A: 1.52µm(60µi) MIN REFLOW MATTE TIN OVER 1.25µm(50µi) MIN NICKEL OVERALL
 - B: 0.38µm(15µi) MIN SELECT GOLD CONTACT AREA, 1.52µm(60µi) MIN SELECT MATTE TIN ON SOLDER TAIL AREA BOTH OVER 1.25µm(50µi) MIN NICKEL OVERALL
 - C: 0.76µm(15µi) MIN SELECT GOLD CONTACT AREA, 1.52µm(60µi) MIN SELECT MATTE TIN ON SOLDER TAIL AREA BOTH OVER 1.25µm(50µi) MIN NICKEL OVERALL
- PRODUCT SPECIFICATION: 2191160001-PS
- PACKAGING SPECIFICATION: TRAY,2191160161; TAPE & REEL ,2191161161
- PARTS CONFORMS TO CLASS 'B' REQUIREMENTS OF COSMETIC SPECIFICATION PS-45499-002.
- THIS PART MATES WITH RECEPTACLE 219114
- CURRENT RATING : 9.2 A PER POWER PIN (PIN1~PIN 12)
1.0 A PER SIGNAL PIN (S1~S4)
- VOLTAGE RATING : 12V AC/DC

| | | | | | | | | | | |
|---|--|-------|--|--|--|---------|--------|-------------------------------|----------------|----------|
| THIS DRAWING CONTAINS INFORMATION THAT IS PROPRIETARY TO MOLEX ELECTRONIC TECHNOLOGIES, LLC AND SHOULD NOT BE USED WITHOUT WRITTEN PERMISSION | | | | | | | | | | |
| DIMENSION UNITS | | SCALE | | CURRENT REV DESC: | | | | molex | | |
| mm | | NTS | | | | | | | | |
| GENERAL TOLERANCES (UNLESS SPECIFIED) | | | | EC NO: 844069 DRWN: WYATTH5 2025/12/31 CHK'D: XQZHANG 2026/01/13 APPR: XQZHANG 2026/01/13 | | | | PCIE CEM 5 12V2X6 HEADER ASSY | | |
| ANGULAR TOL ± 2.0° | | | | | | | | PRODUCT CUSTOMER DRAWING | | |
| 4 PLACES ± | | | | INITIAL REVISION: DRWN: ZIXUAQ 2021/10/25 APPR: XQZHANG 2024/03/11 | | | | DOCUMENT NUMBER | | |
| 3 PLACES ± | | | | | | | | 2191160001-SD | | DOC TYPE |
| 2 PLACES ± 0.2 | | | | | | | | PSD | 000 | A1 |
| 1 PLACE ± 0.25 | | | | | | | | MATERIAL NUMBER | CUSTOMER | |
| 0 PLACES ± | | | | | | | | SEE TABLE | GENERAL MARKET | |
| DRAFT WHERE APPLICABLE MUST REMAIN WITHIN DIMENSIONS | | | | THIRD ANGLE PROJECTION | | DRAWING | SERIES | SHEET NUMBER | | |
| | | | | | | C-SIZE | 219116 | 2 OF 2 | | |

| | | | |
|-----------------|----|--------------|---------------------|
| DOCUMENT STATUS | P1 | RELEASE DATE | 2026/01/13 09:35:22 |
|-----------------|----|--------------|---------------------|