

# Atomic TF-Card Reader

SKU:A135



## Description

**Atomic TF-Card Reader** is a module designed to read and write TF (MicroSD) cards. It is a version of the ATOM TF-CARD module that does not include a controller. Instead, it is compatible with Atom Matrix, Atom Lite, AtomS3, and AtomS3 Lite. This allows users who already have those Atom series controllers to conveniently purchase and use the Atomic TF-Card Reader.

The module features a self-ejecting card slot design, making it easy to insert and remove TF cards. It supports TF cards with a maximum capacity of 16GB, providing ample storage space for important configuration files and user data. By utilizing the TF-Card Reader module, users can store essential files, such as configuration files and user data, on the TF card. During program execution, these files can be accessed and utilized. This approach helps to reduce the usage of valuable Flash space on the controller by offloading resource files to the external TF card.

**Atomic TF-Card Reader** is suitable for a variety of applications, including embedded control systems, industrial automation, and IoT devices. It enables convenient storage and access to files, enhancing the functionality and flexibility of the Atom series controllers.

## Features

- Compatible with ATOM Matrix/ ATOM Lite/ATOMS3/ATOMS3 LITE
- Up to 16G TF card
- FAT/FAT32 format
- Self elastic TF-card (microSD) slot

## | Includes

---

- 1x Atomic TF-Card Reader

## | Applications

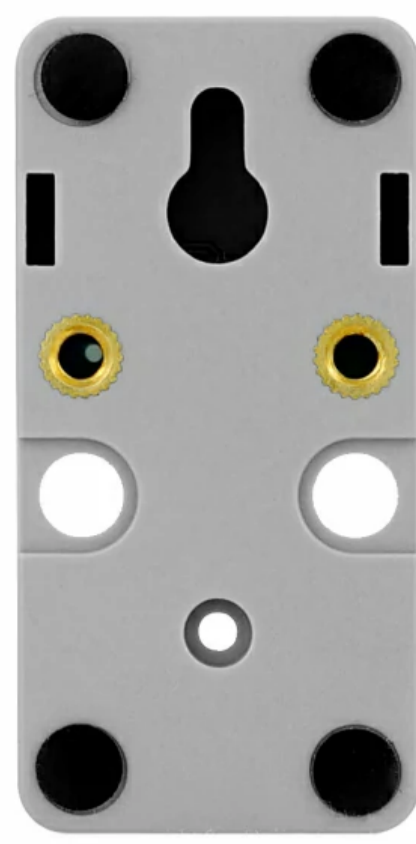
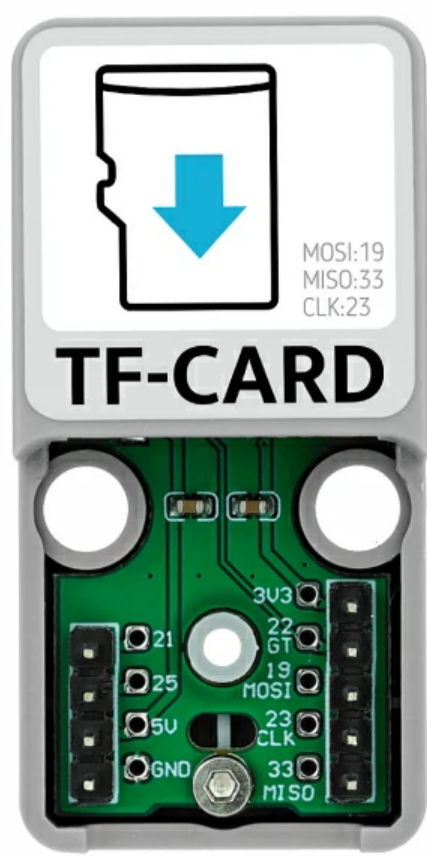
---

- Data saving
- File reading and writing
- Logging
- Self elastic slot

## | Specification

---

Resources	Parameters
Support type	16G FAT/FAT32 MicroSD
Product Size	48*24*18mm
Package Size	136* 92*20mm
Product Weight	8.8g
Package Weight	10.9g



## Products related to this item

[ATOM TF-CARD \(K044\)](#)

[ATOM Lite \(C008\)](#)

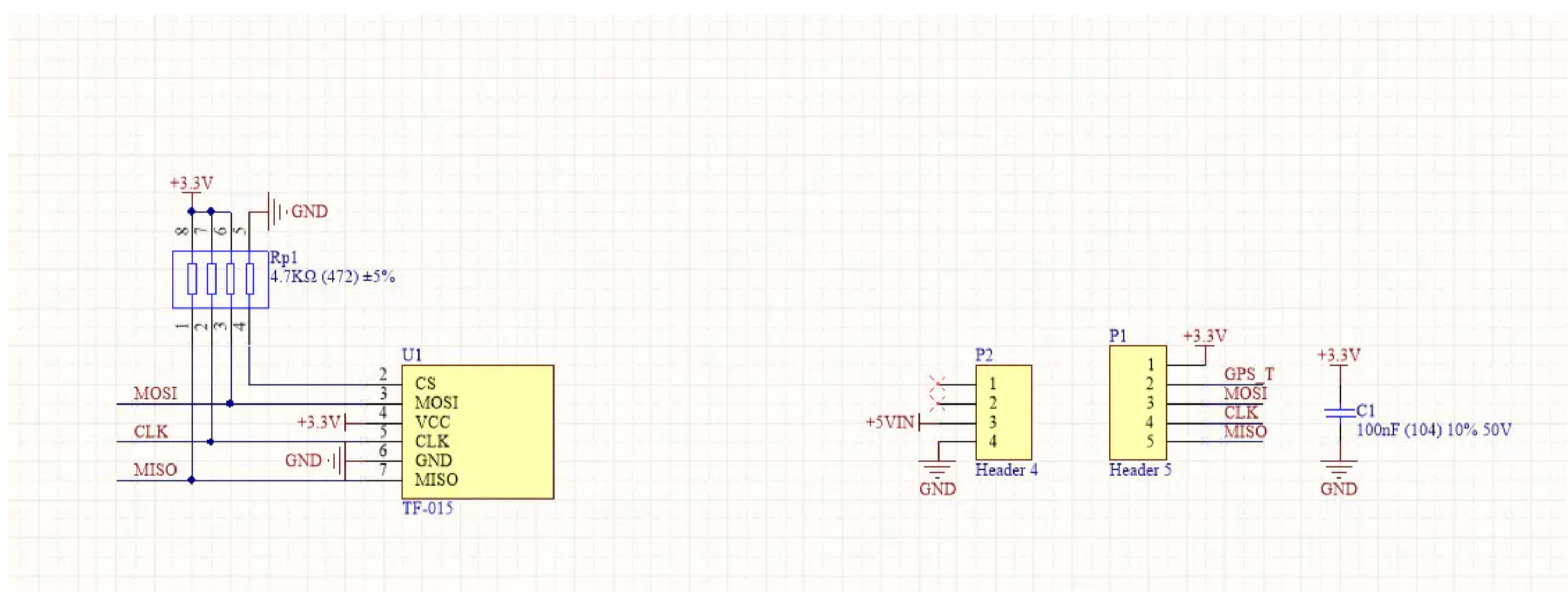
[ATOM ECHO \(C008-C\)](#)

[AtomS3 \(C123\)](#)

[AtomS3 Lite \(C124\)](#)

[TailBat \(T001\)](#)

## Schematic



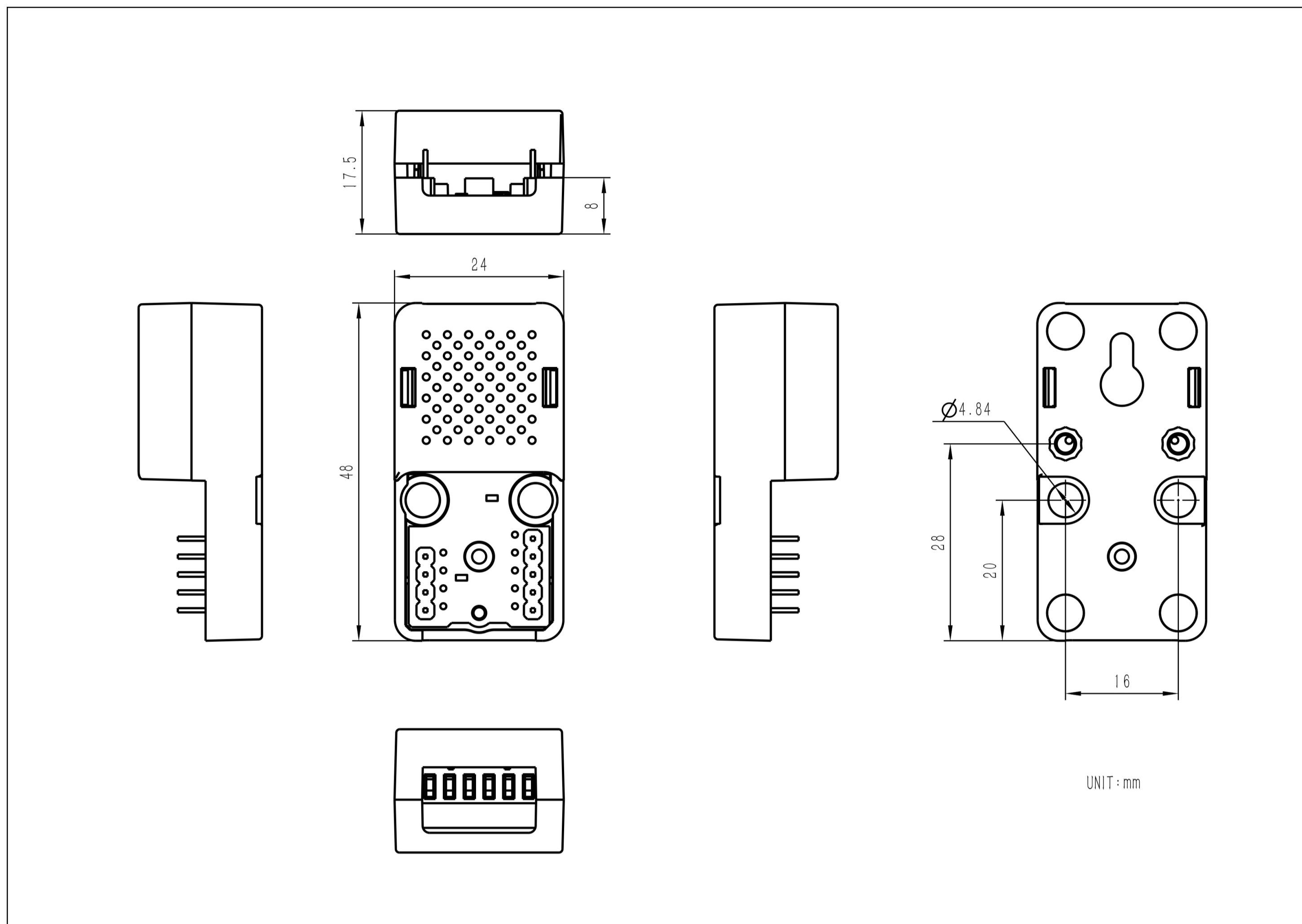
## EasyLoader

- **Windows**
  - [EasyLoader\\_Atomic\\_TF](#)

## PinMap

## Module Size

---



## Examples

---

### Arduino

- [Video support library file](#)
- [Read and write TF card files, serial port view Demo](#)

## Video

---

- [Atomic TF-Card Reader Web file management case](#)
- [SD card read and write file test, serial port output view](#)

# Mouser Electronics

Authorized Distributor

Click to View Pricing, Inventory, Delivery & Lifecycle Information:

[M5Stack:](#)

[A135](#)